

Engineering Drawing Principles L-11



विश्वजीवनमयं वाचम्

Isometric Views and Isometric Projections

Isometric View



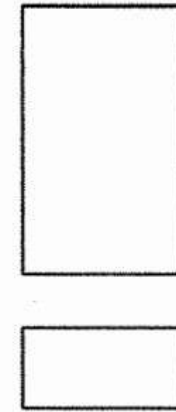
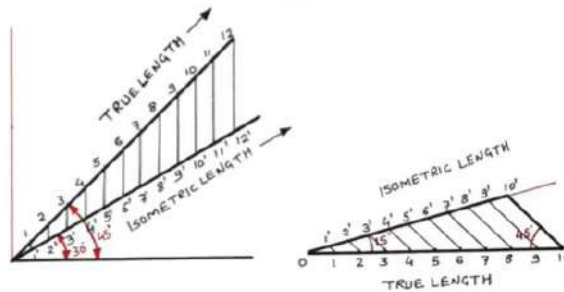
Using Actual Length
(True Length)



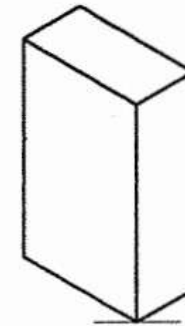
Isometric Projection



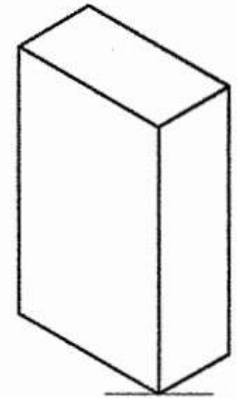
Using Isometric Length
(Reduced Length)



(i)



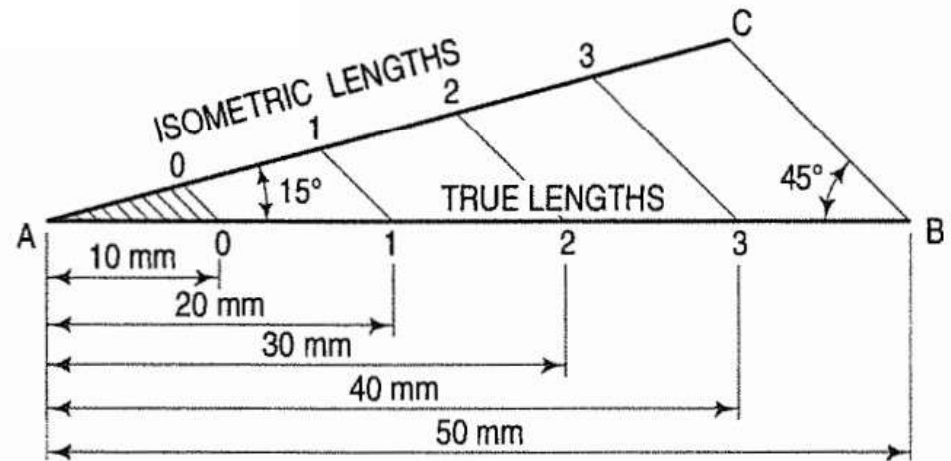
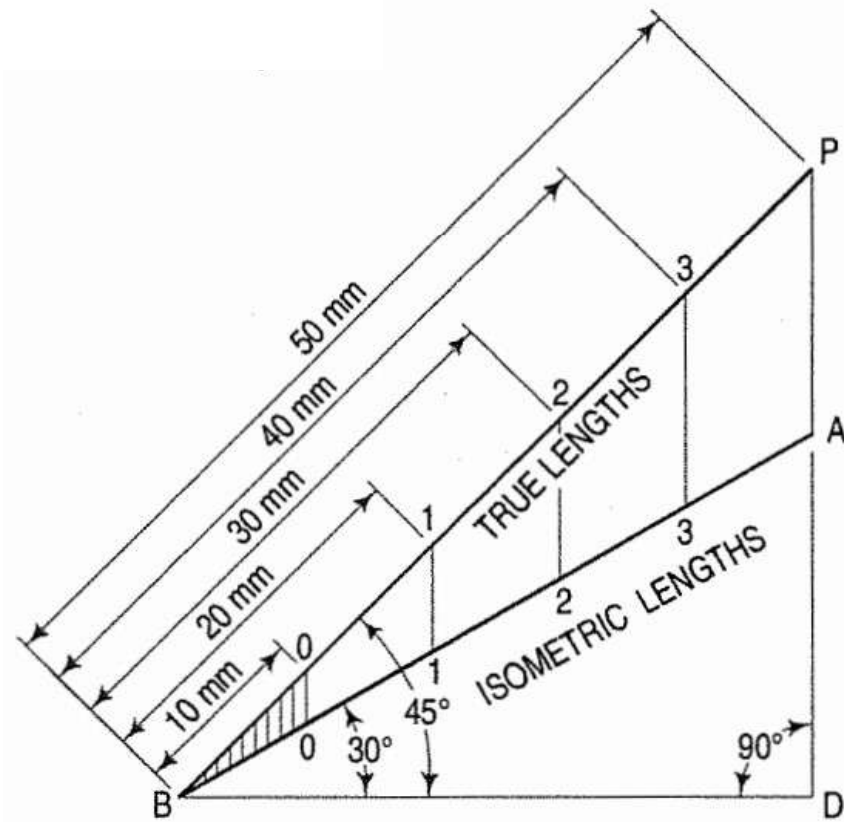
(ii)



(iii)

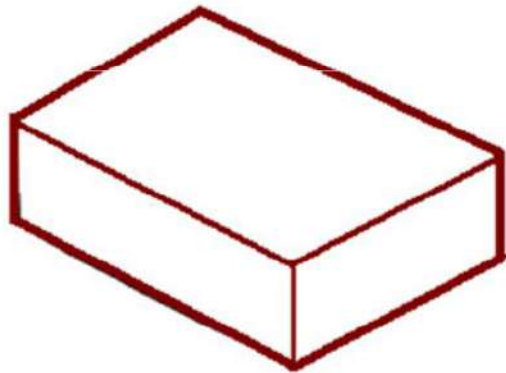
Isometric Scale

$$\frac{\text{Isometric Length}}{\text{Actual Length}} = 0.815$$

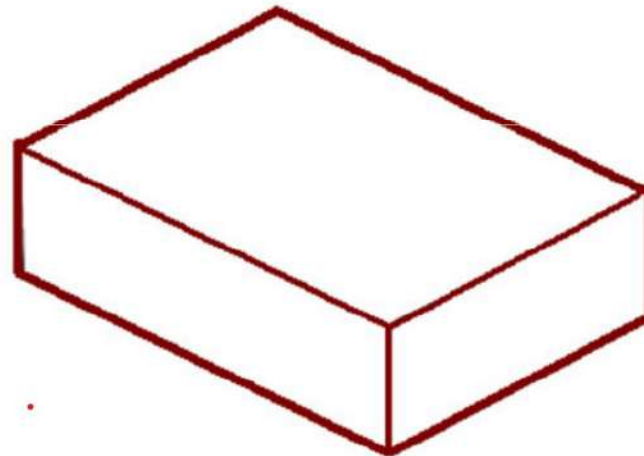


Isometric Views/Drawing and Isometric Projections

Isometric drawings are almost always preferred over isometric projection for engineering drawings, because they are easier to produce.



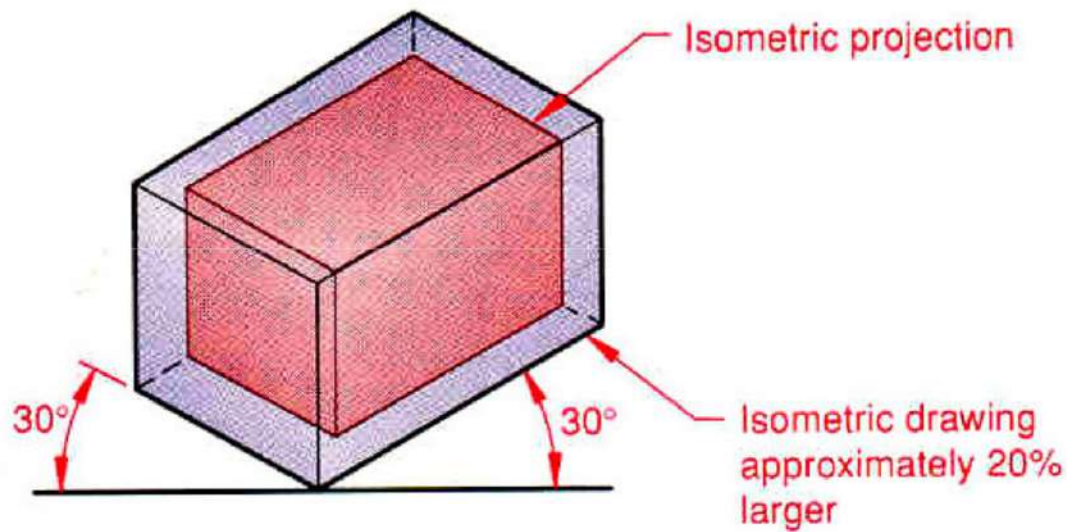
isometric projection
82% of full scale



Full scale Isometric drawing

Isometric Views/Drawing and Isometric Projections

An isometric drawing is an axonometric pictorial drawing for which the angle between each axis equals 120 degrees and the scale used is full scale.



Size comparison of Isometric Drawing and True Isometric Projection

Isometric View

Isometric View of a Circle.

