

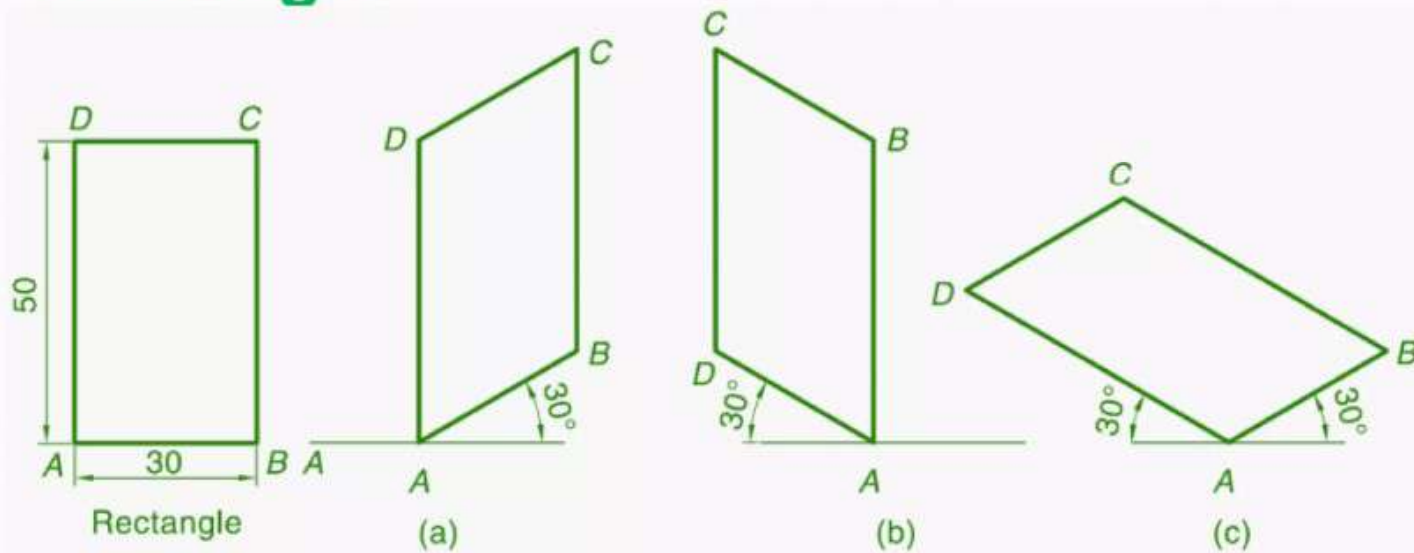
# Engineering Drawing Principles L-12



विश्वजीवनमयं तमसा

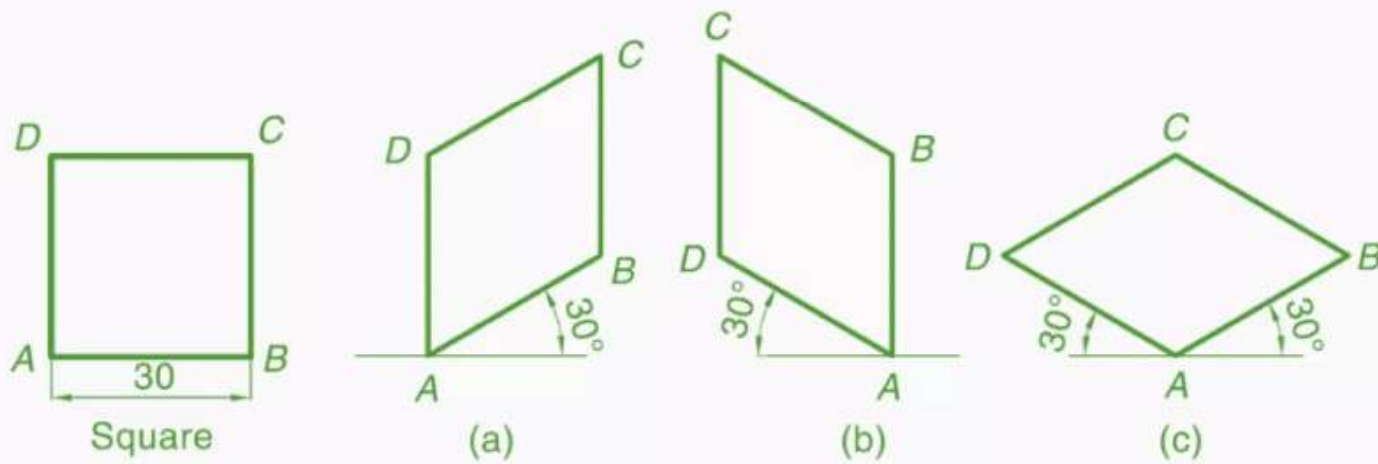
# Isometric Views

## Rectangle



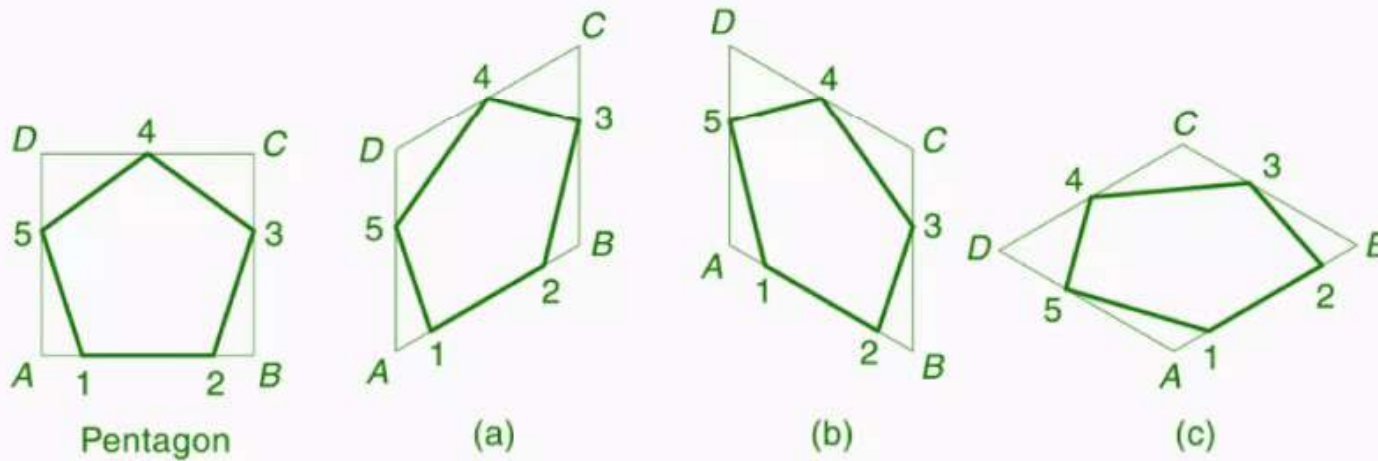
# Isometric Views

## Square



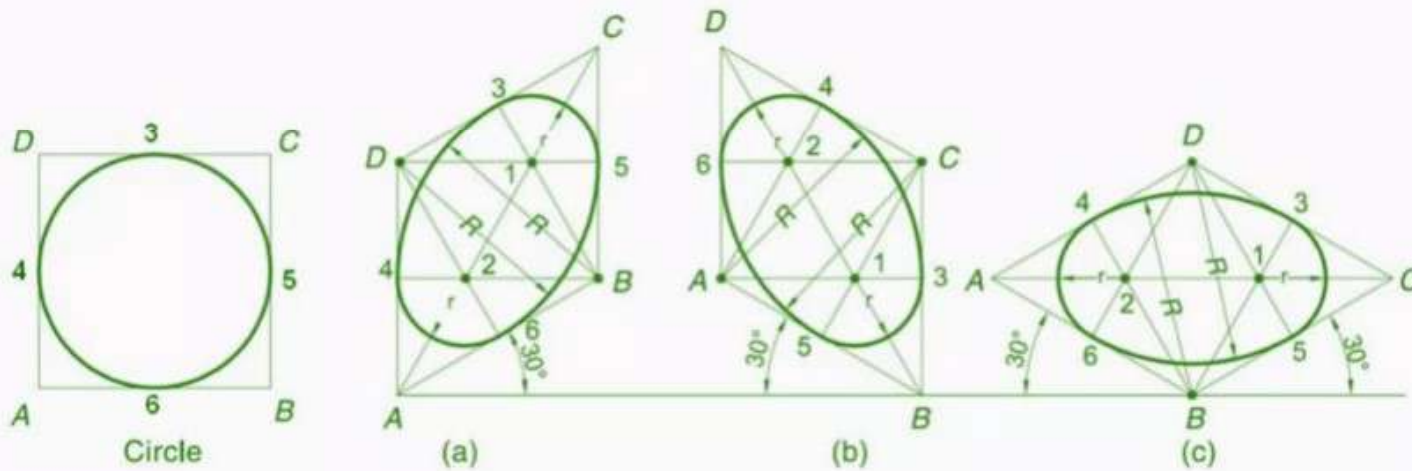
# Isometric Views

## Pentagonal Plane



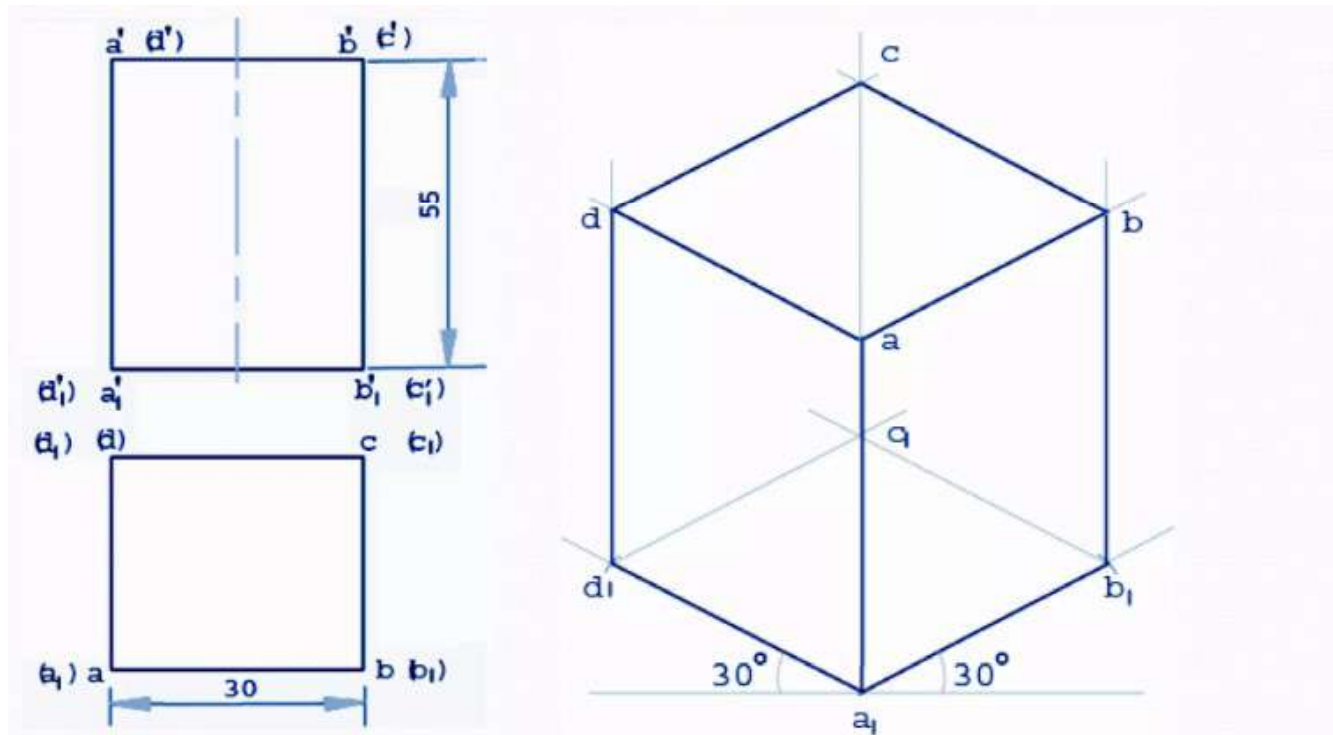
# Isometric Views

## Circular Plane



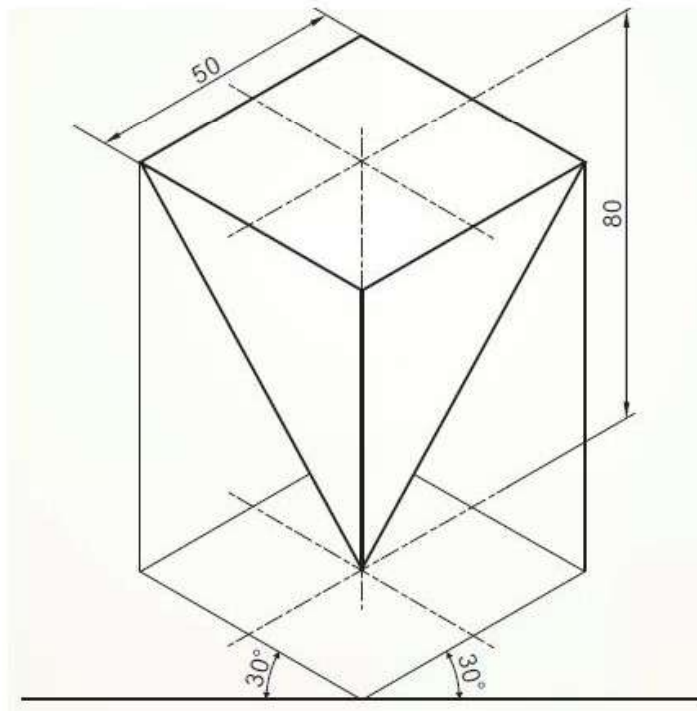
## Isometric Views

Draw the isometric view of square prism having side of base 30mm and height 55mm.



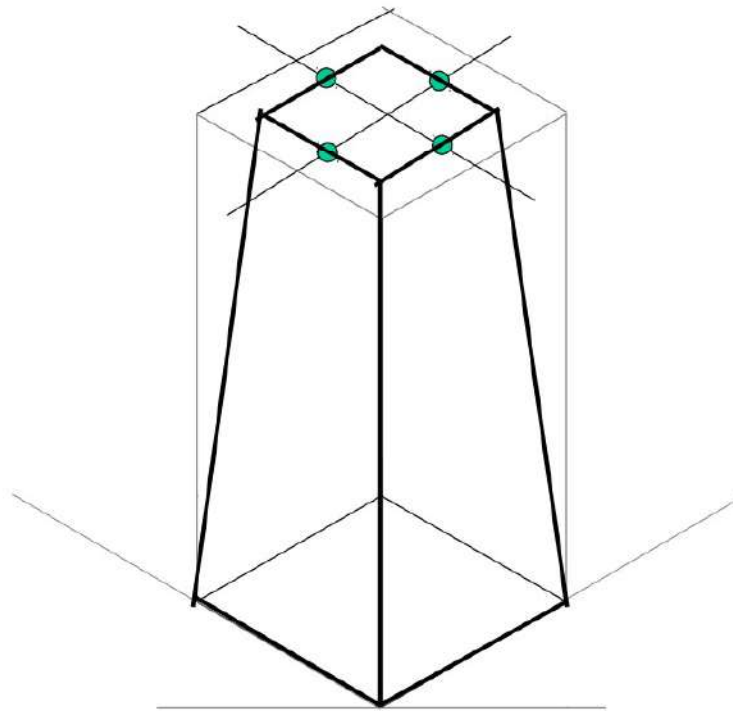
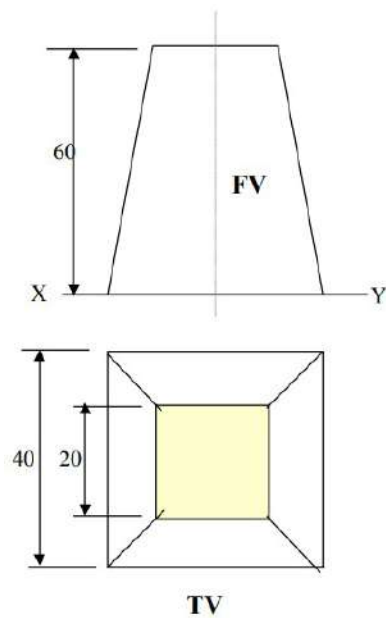
## Isometric Views

*Draw the isometric view of square pyramid resting on its apex having side of base 40mm and height 70mm.*



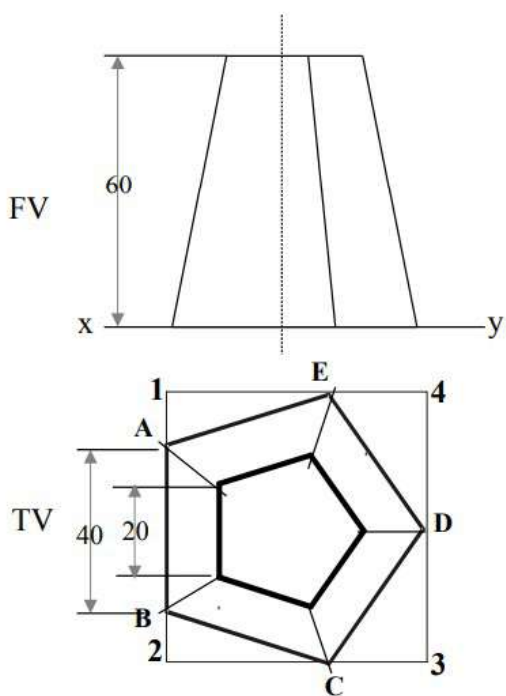
## Isometric Views

ISOMETRIC VIEW OF A FRUSTUM OF SQUARE PYRAMID STANDING ON H.P. ON IT'S LARGER BASE



# Isometric Views

## ISOMETRIC VIEW OF FRUSTUM OF PENTAGONAL PYRAMID

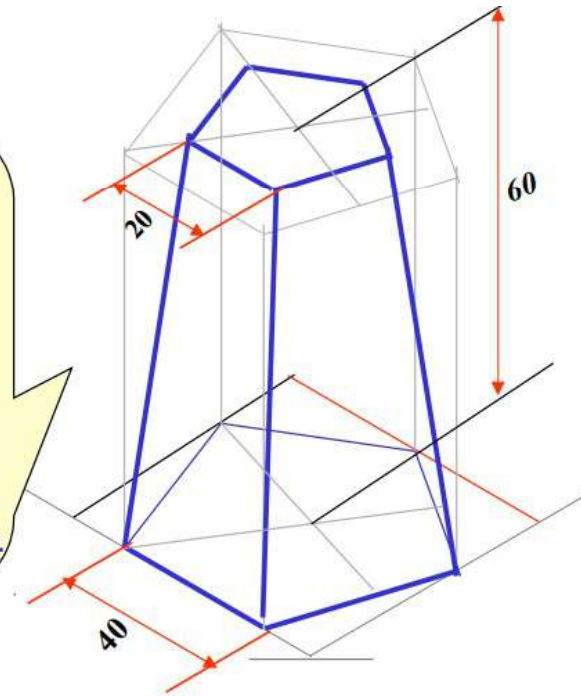


### SOLUTION STEPS:

FIRST DRAW ISOMETRIC OF IT'S BASE.

THEN DRAW SAME SHAPE AS TOP, 60 MM ABOVE THE BASE PENTAGON CENTER.

THEN REDUCE THE TOP TO 20 MM SIDES AND JOIN WITH THE PROPER BASE CORNERS.



## Isometric Views

ISOMETRIC VIEW OF A FRUSTUM OF CONE STANDING ON H.P. ON IT'S LARGER BASE.

